

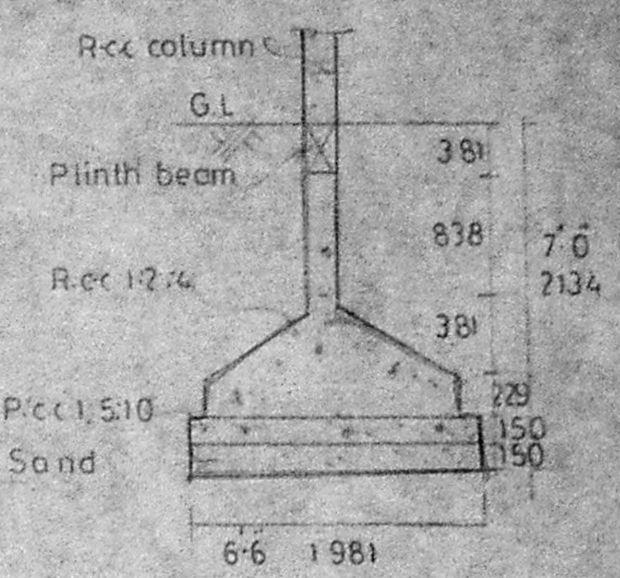
O.H. Tank 14-10 1/2 x 12 x 5
Hermetically sealed

O-H-Tank 14-10 1/2 x 12 x 5
hermetically sealed
Head Room

parapet wall w. course r.c.c. roof 1:2:4 1k

WMDA C/PP NO. /
No. C. 16898/92
Scrutiny: 7/25/92
PART I
PART II
A.P. 20/8 D.P.
1/2 R.P. out 13.8

DETAILS OF 40 WELL
Hermetically sealed

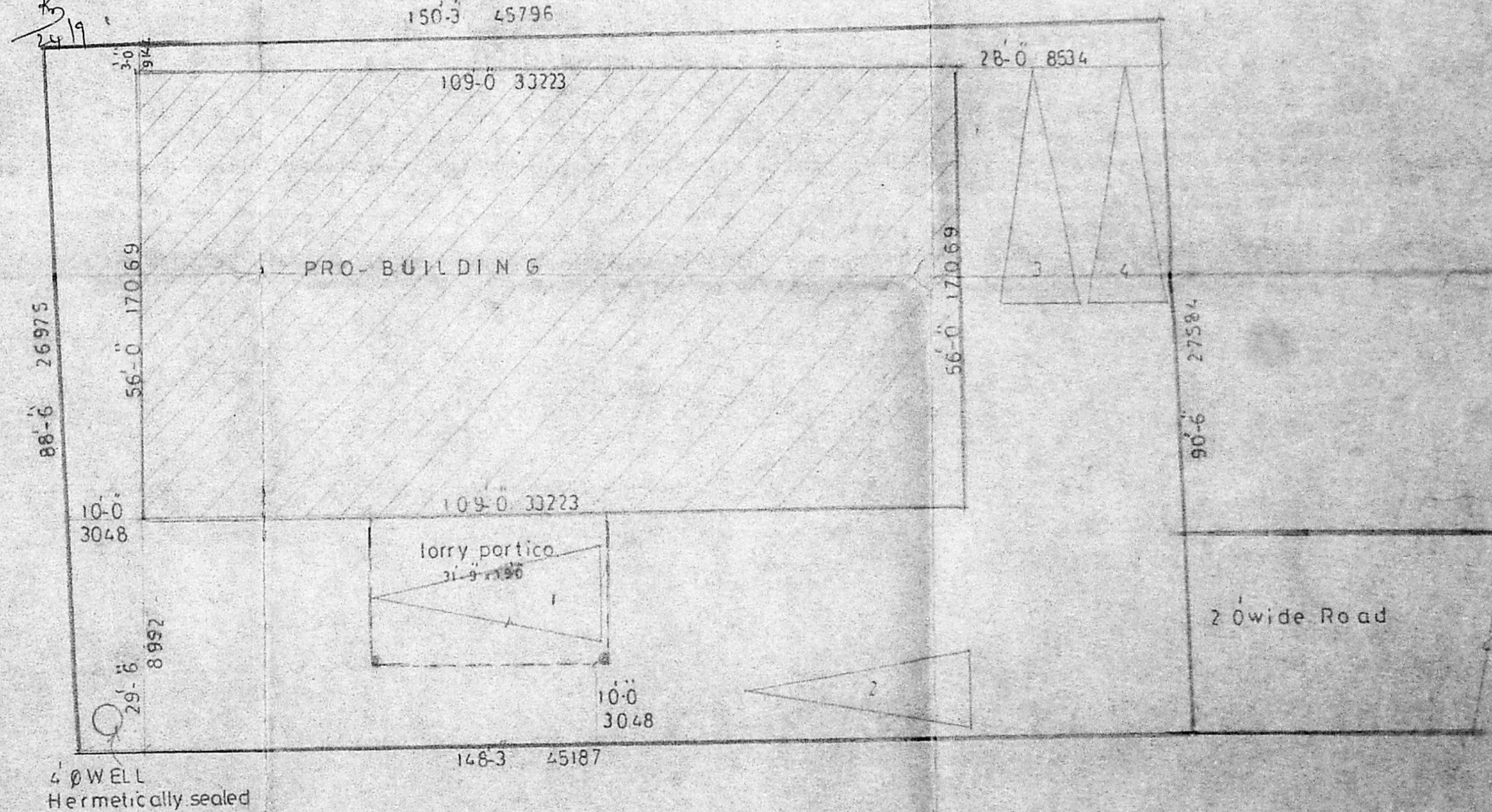
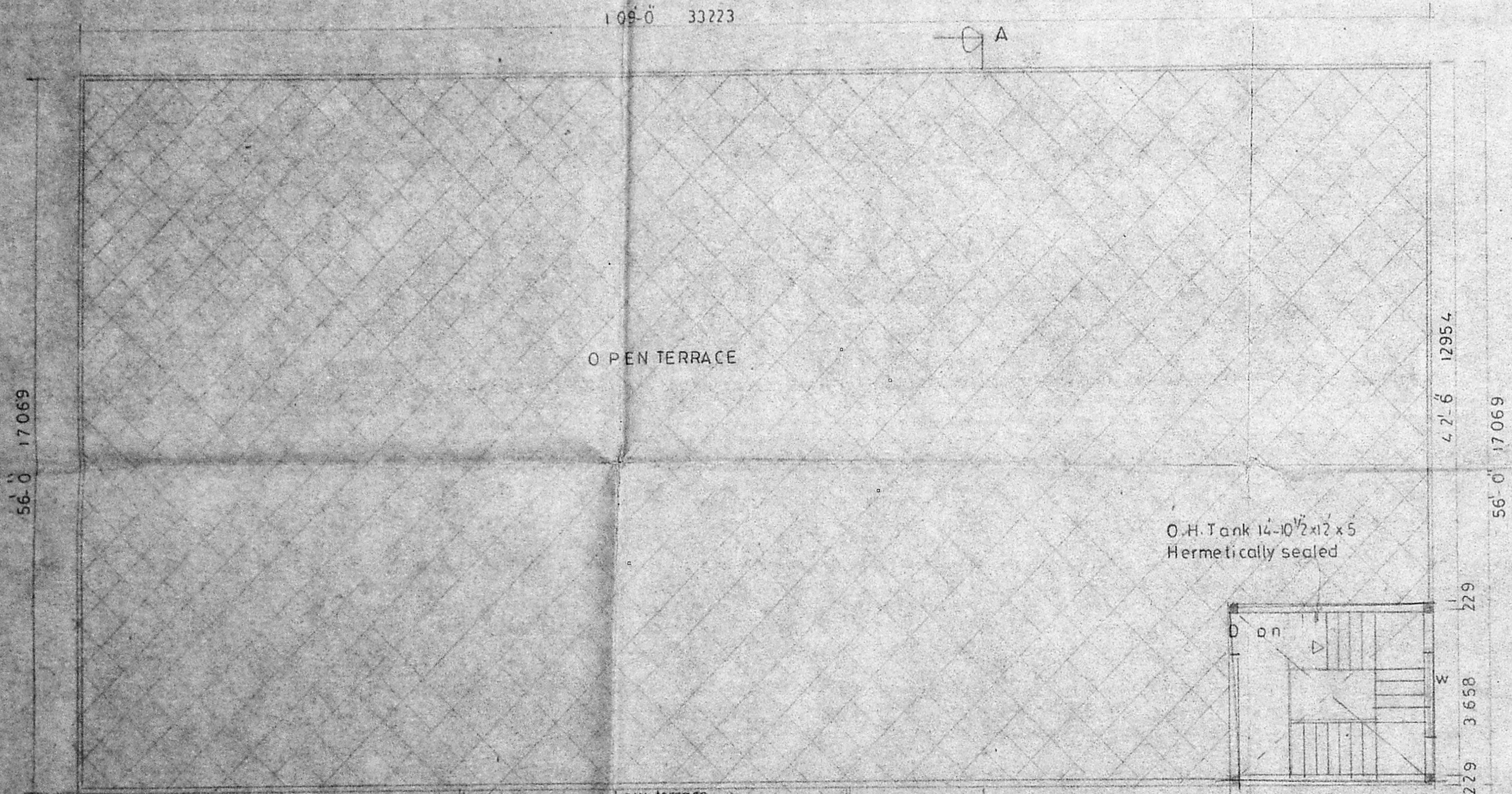
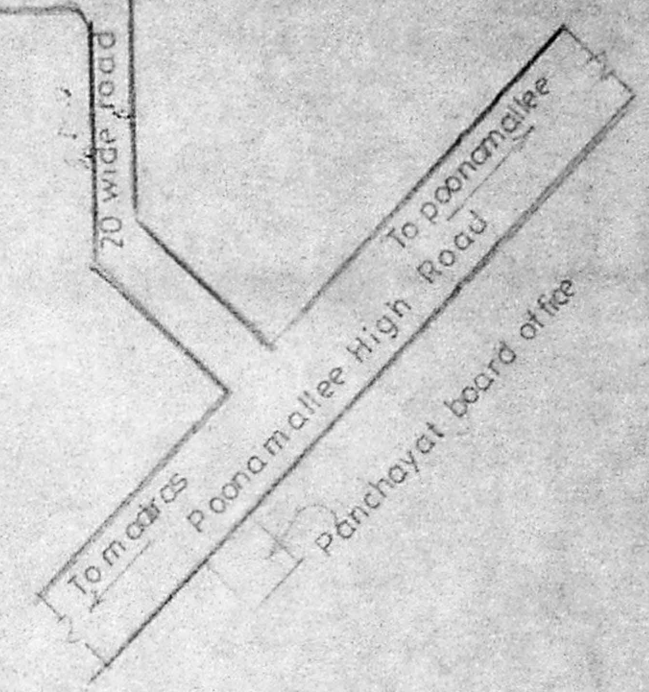


NORTH WEST SIDE ELEVATION

SECTION - ON - AA

Planning Permit No. C.P.P. 16898/92
APPROVED
SUBJECT TO THE CONDITIONS IN
THIS PERMIT.
No. C. 16898/92
FOR MEMBER, SECRETARY
MADRAS METROPOLITAN
DEVELOPMENT AUTHORITY
MADRAS - 600 008.

KEY PLAN - NTS



TERRACE FLOOR PLAN

SITE PLAN Scale 1-16-0

PROPOSED GARMENT FACTORY BUILDING AT SN 043/2 A2
OF MADURAVOYAL VILLAGE POONAMALLEE
HIGH ROAD SAIDAPET TALUK CHENGLEPUT
DISTRICT

PRO-COLOR —
SITE COLOR —
ROAD COLOR —
SCALE 1:8-0
DATE 11-7-92

S. CHOCKALINGAM - BE.MIE
Class I surveyor
L.S. no 213
corporation of madras

ARCHITECTS
Srinivasa Enterprises
74 Bazullah Road
1-Nagar Madras -17
phone 8254962

FOR M/S. AARTI LEATHER APPARELS (MADRAS) P.LTD

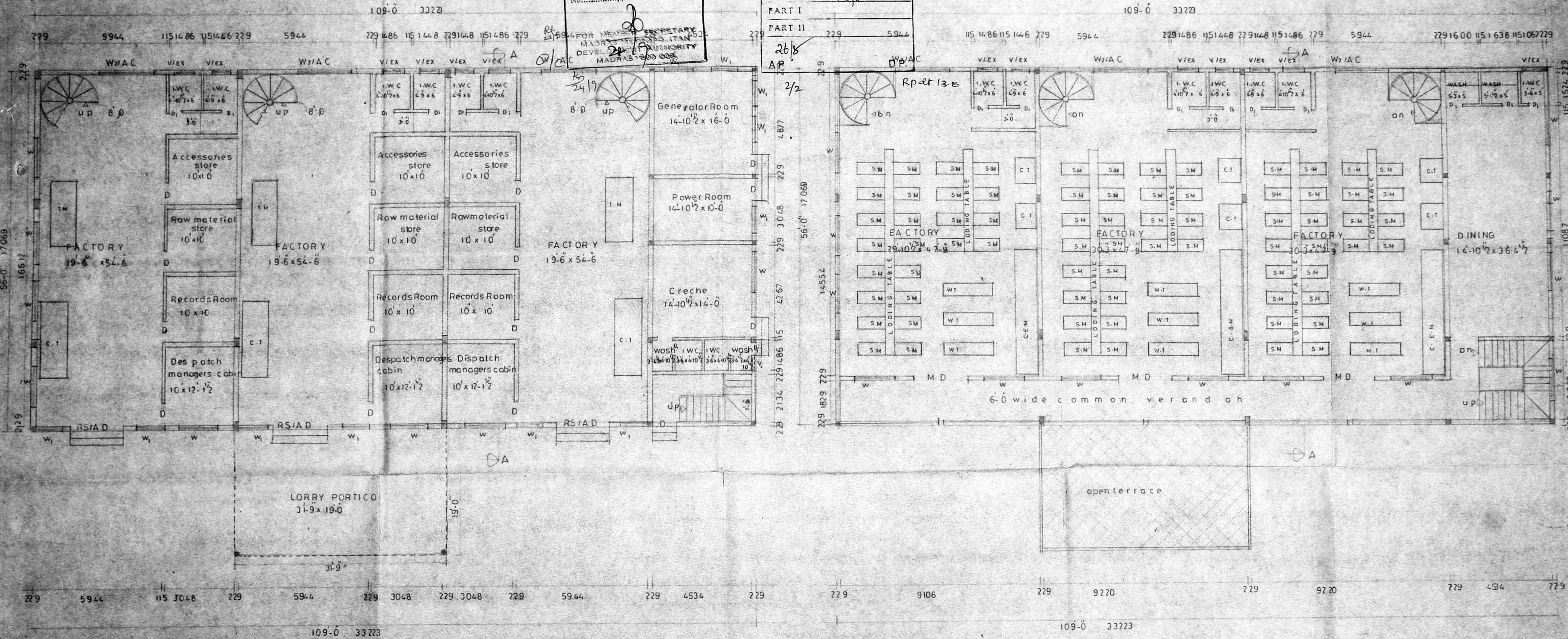
OWNER

LICENSED SURVEYOR

103
2

Planning Permit No. C/PP/16878/92
APPROVED
SUBJECT TO THE CONDITIONS IN
THIS ORDER.
No. C/16878/92

MMDA 'C' / PP NO. /
C.N. 16878/92
Serialy: 2558
PART I
PART II
26/8



GROUND FLOOR PLAN

FIRST FLOOR PLAN

PROPOSED GARMENT FACTORY BUILDING AT SNO 13/2A2
OF MADURAVOYAL VILLAGE POONAMALLEE
HIGH ROAD SAIDAPET TALUK CHENGLEPUT
DISTRICT
FOR - M/S. AARTI LEATHER APPARELS (MADRAS)
P.L.T.D.

FOUNDATION	BASEMENT	STRUCTURE	PLASTERING	ROOF	W-COURSE	JOINERY
Pcc 1:5:10 & Sand with R.c.c column 1:2:4	Pcc 1:4:8 & Sand with Floor finish mosaic tiles	Bk work in cm 1:5	Cm 1:4 mix	R.C.C. 1:2:4 5/8 slab	BK Jally laid with 1:4 pressed twolayers of terrace tiles	Best indian teak wood

FOUNDATION	BASEMENT	STRUCTURE	PLASTERING	ROOF	W-COURSE	JOINERY
RS/A/D	MD	D	D	W	W	V
Rolling shutter/Aluminium	Main door	Door	- b-o	Window	- d-o	Ventilator / Exhaust Fan
2438x2438 / 2438x2134	2438x2134	914 x 2134	762 x 2134	1829 x 1372	1219 x 1372	914 x 610 / 610 dia
						2438 x 872
						94 x 610
						495 x 610

PRO-COLOR
SCALE 1/8-0
DATE 11-7-92

AQB	DESCRIPTION	NOS	SIZE
SM	SEWING MACHINE	72	4x2
W.T	WORKING TABLE	9	8x2
C.I	CHECKING TABLE	6	4x4
C.E.M	COMPUTER EMBROIDERY MACHINE	3	4x20
T.M	THREADING MACHINE	3	4x10
C.T	CUTTING TABLE	3	4x12
Total.H.P = 36.H.P			
OWNER			

S-CHOCKALINGAM - BE-MIE
Class I surveyor
T.s.no. 213
corporation of madras
LICENSED SURVEYOR

ARCHITECTS
SRINIVASA ENTERPRISES
74 Bazullah Road
T-Nagar Madras -17
phone = 8254962